



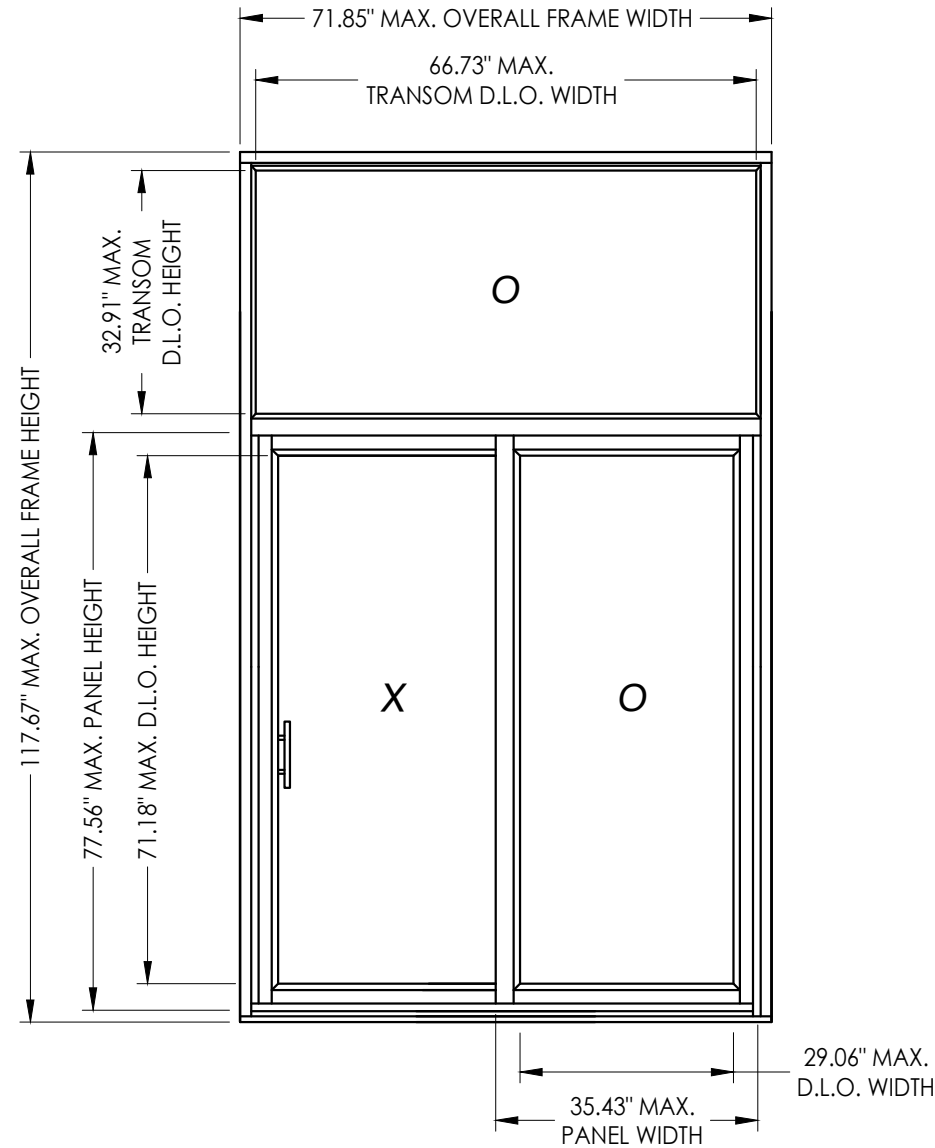
250 Staunton Turnpike, Parkersburg, WV 26104

# 400/500 Series Vinyl Sliding Patio Door w/ Transom "NON-IMPACT"

### GENERAL NOTES

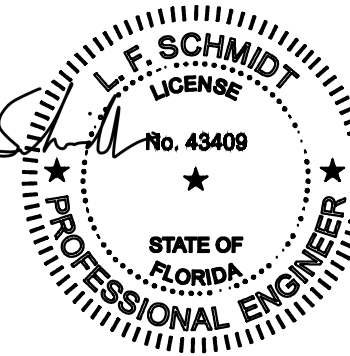
- This product has been evaluated and is in compliance with the 8th Edition (2023) Florida Building Code (FBC) structural requirements excluding the "High Velocity Hurricane Zone" (HVHZ).
- Product anchors shall be as listed and spaced as shown on details. Anchor embedment to base material shall be beyond wall dressing or stucco.
- When used in areas requiring wind borne debris protection this product is required to be protected with an impact resistant covering that complies with FBC Sections 1609.1.2 & R301.2.1.2.
- For 2x stud framing construction, anchoring of these units shall be the same as that shown for 2x buck masonry construction.
- Site conditions that deviate from the details of this drawing require further engineering analysis by a licensed engineer or registered architect.

TABLE OF CONTENTS	
SHEET#	DESCRIPTION
1	Typical elevation, design pressures & general notes
2	Horizontal cross sections
3	Vertical cross sections
4	Buck & frame anchoring
5	Glazing details
6	Bill of materials & components



OVERALL FRAME DIMENSION	MAX. PANEL DIMENSION	MAX. DOOR D.L.O. DIMENSION	MAX. TRANSOM D.L.O. DIMENSION	GLASS TYPE	DESIGN PRESSURE (PSF)	
					POSITIVE	NEGATIVE
71.85" x 117.67"	35.43" X 77.56"	29.06" X 71.18"	66.73" X 32.91"	G1, G2, G3	+40.0	-45.0

L7



This item has been digitally signed and sealed by L. F. Schmidt, P.E. on the date adjacent to the seal. Printed copies of this document are not considered signed and sealed and the signature must be verified on any electronic copies.

THIS PRODUCT APPROVAL IS VALID ONLY FOR THE STATE OF FLORIDA

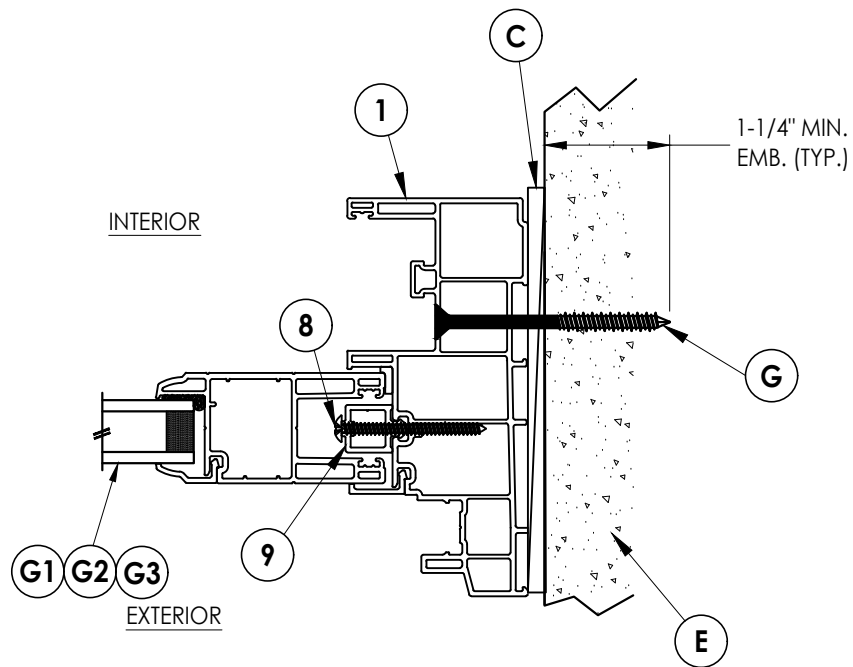
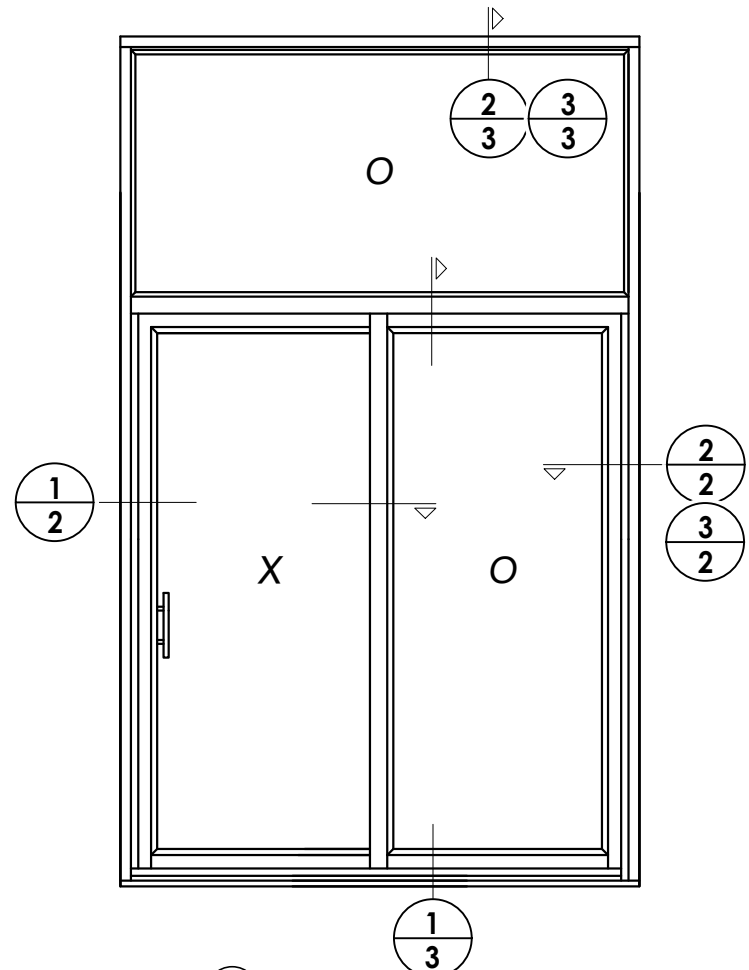
Documents Prepared By:  
Lyndon F. Schmidt  
P.E. No. 43409

**RW** BUILDING CONSULTANTS, INC.  
P.O. Box 230, Valrico, FL 33595  
Phone No.: 813.659.9197  
FBPE Registry No. 9813

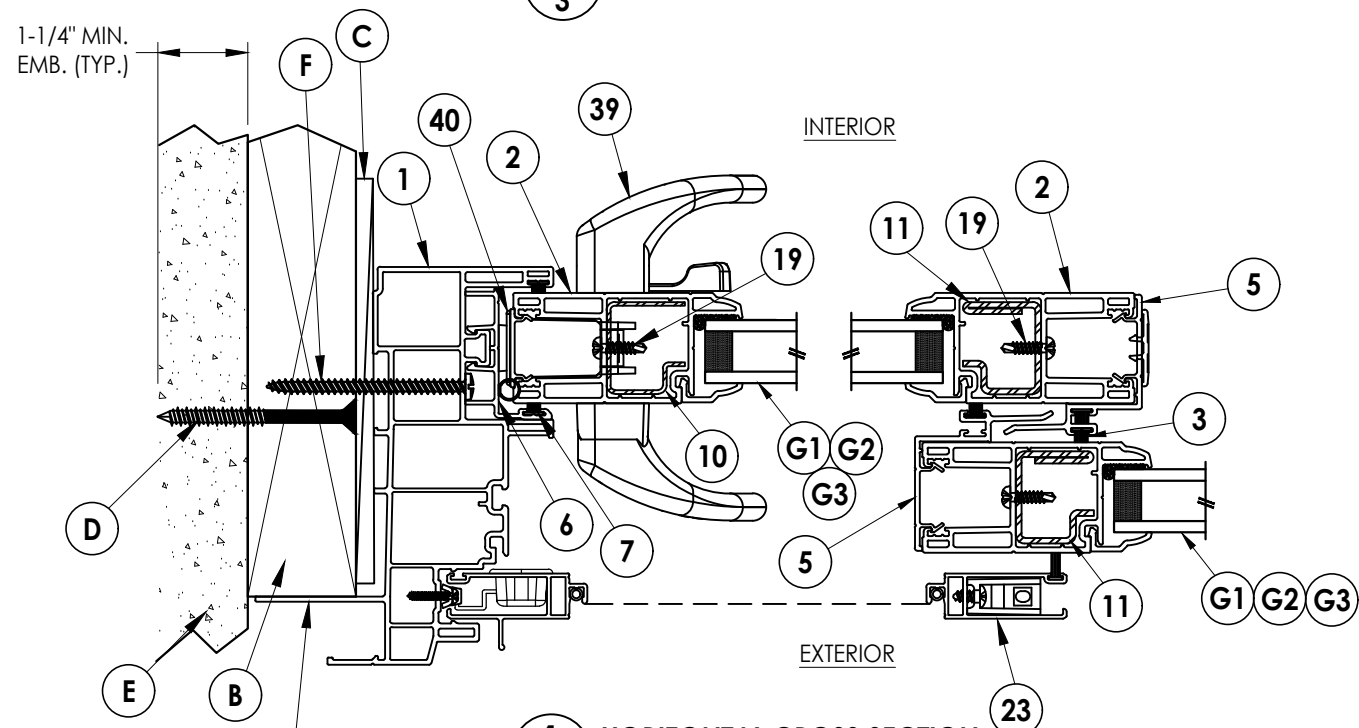
PRODUCT: 400/500 SERIES SLIDING PATIO DOORS  
PART OR ASSEMBLY: TYPICAL ELEVATION, DESIGN PRESSURES & GENERAL NOTES

NO.	DATE	REVISIONS
4	7/06/23	UPDATE TO 8TH ED. (2023) FBC LFS
3	7/06/20	UPDATE TO 7TH ED. (2020) FBC LFS
2	6/01/17	UPDATE TO 6TH ED. (2017) FBC LFS
1	1/28/15	UPDATE TO 5TH ED. (2014) FBC JK

DATE: 8/18/14  
SCALE: N.T.S.  
DWG. BY: JK  
CHK. BY: LFS  
DRAWING NO.: FL-16216.11  
SHEET 1 OF 6

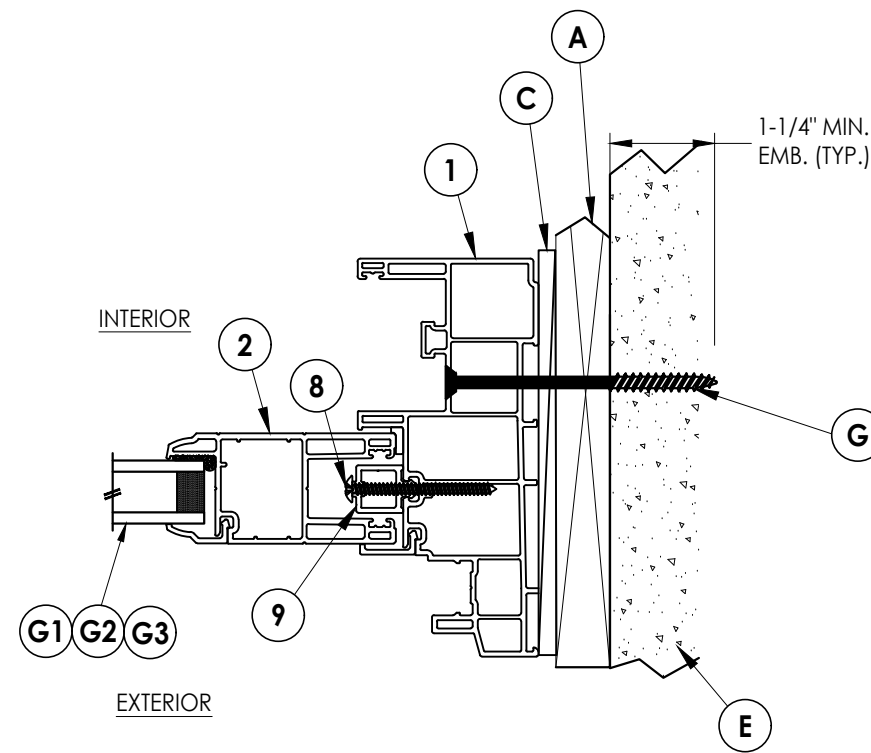


**3**  
**2** **HORIZONTAL CROSS SECTION**  
Shown Direct to Masonry



**1**  
**2** **HORIZONTAL CROSS SECTION**  
Shown w/ 2X Buck

NOTE: Install sealant under fin when optional fin installation is used. Anchor through frame as shown - anchors not required through fin.



**2**  
**2** **HORIZONTAL CROSS SECTION**  
Shown w/ 1X Buck

Documents Prepared By:  
Lyndon F. Schmidt  
P.E. No. 43409

**RW** BUILDING CONSULTANTS, INC.  
P.O. Box 230, Valrico, FL 33595  
Phone No.: 813.659.9197  
FBPE Registry No. 9813

PRODUCT: 400/500 SERIES SLIDING PATIO DOORS

PART OR ASSEMBLY: HORIZONTAL CROSS SECTIONS

NO.	DATE	REVISIONS	BY
4	7/06/23	UPDATE TO 8TH ED. (2023)	FBC
3	7/06/20	UPDATE TO 7TH ED. (2020)	FBC
2	6/01/17	UPDATE TO 6TH ED. (2017)	FBC
1	1/28/15	UPDATE TO 5TH ED. (2014)	FBC

DATE: 8/18/14

SCALE: N.T.S.

DWG. BY: JK

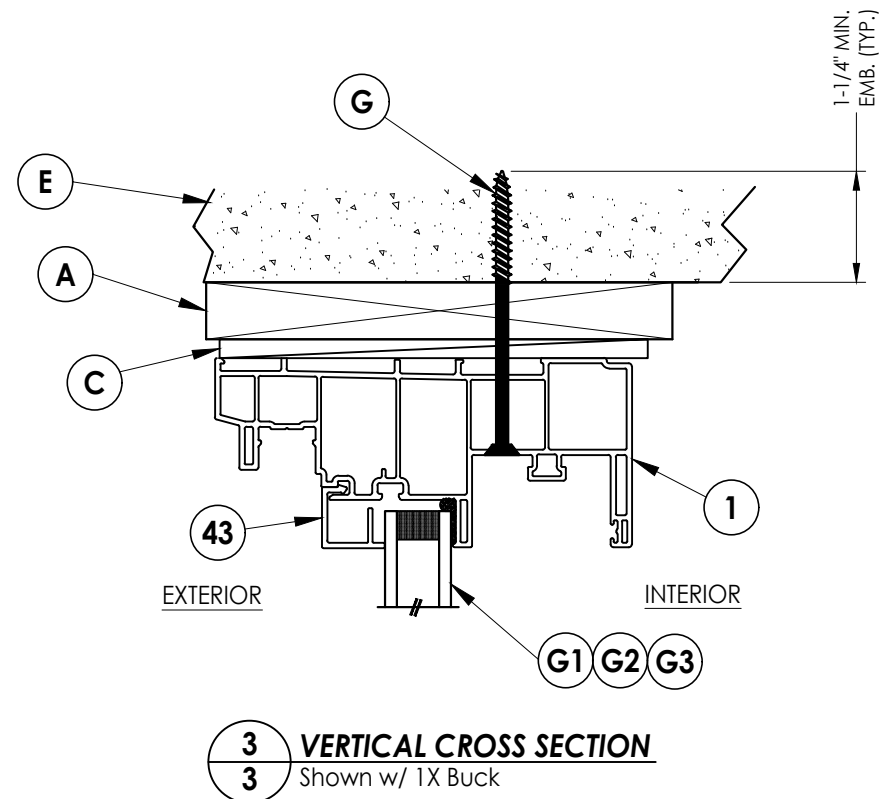
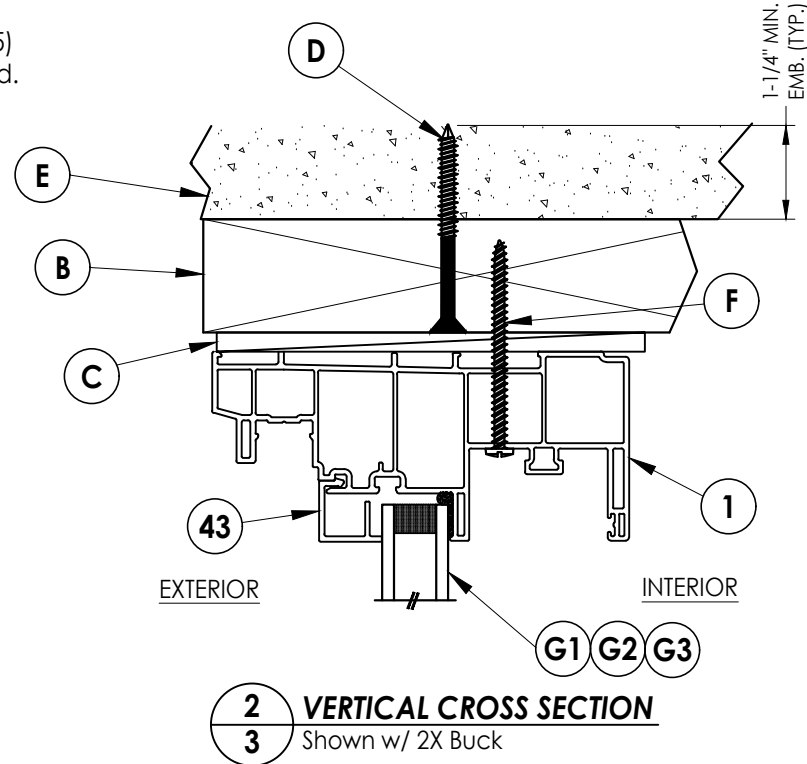
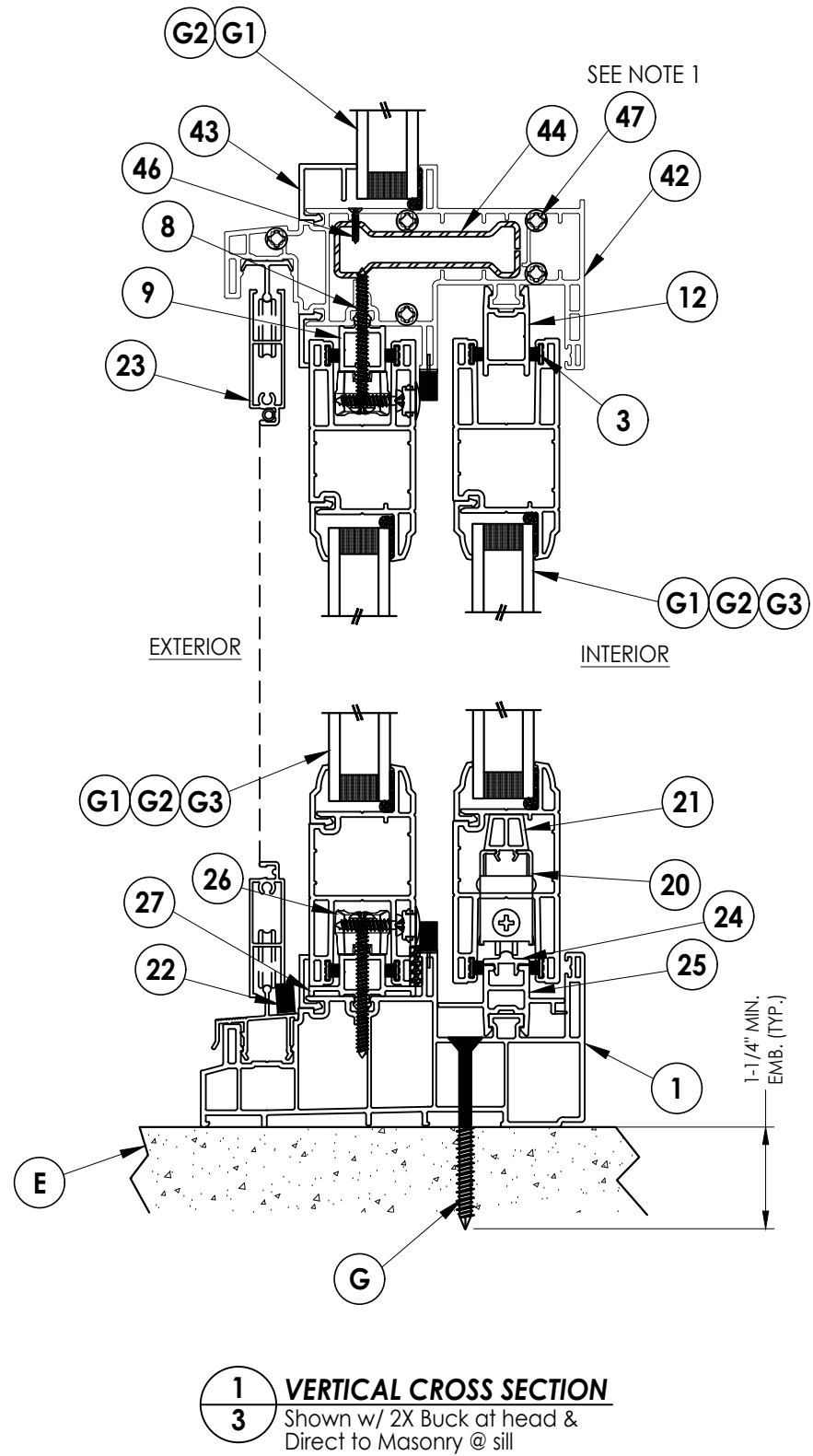
CHK. BY: LFS

DRAWING NO.: FL-16216.11

SHEET 2 OF 6

**NOTES:**

1. Attach Horizontal Transom Mullion Frame (Item #42) to Main Frame (Item #1) with (5) #10 x 2-1/2" screws (Item #47) at each end.



Documents Prepared By:  
Lyndon F. Schmidt  
P.E. No. 43409

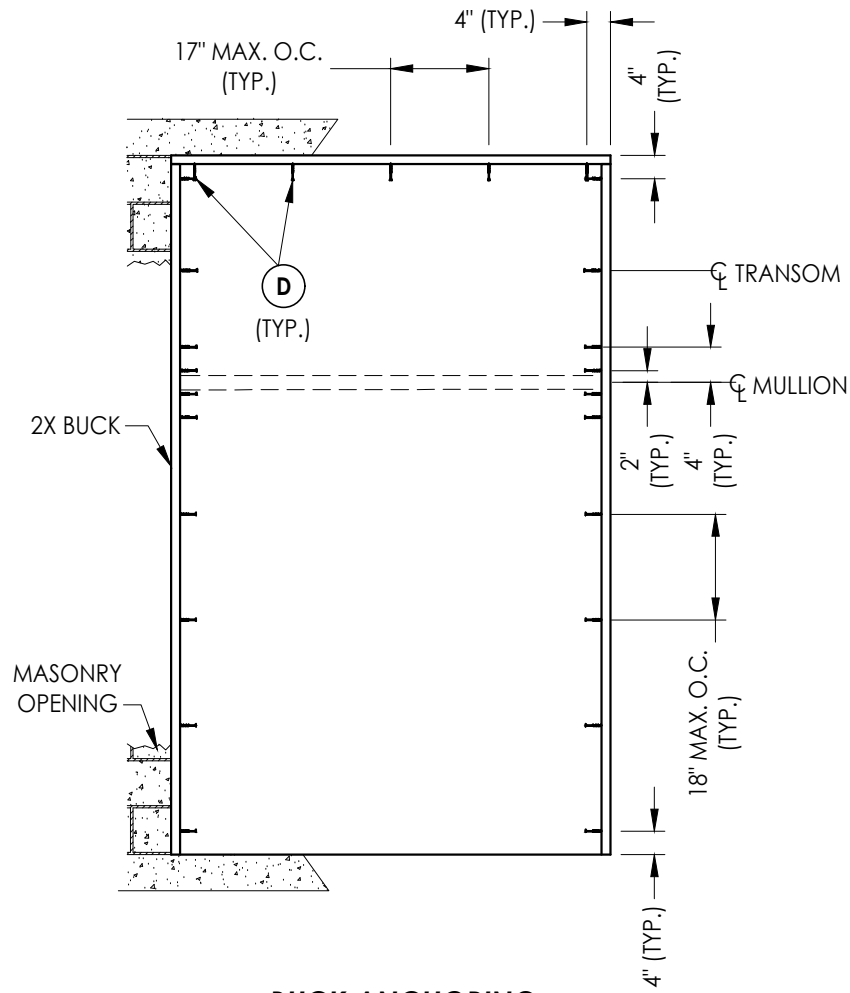
**RW** BUILDING CONSULTANTS, INC.  
P.O. Box 230, Vairico, FL 33595  
Phone No.: 813.659.9197  
FBPE Registry No. 9813

PRODUCT: 400/500 SERIES SLIDING PATIO DOORS

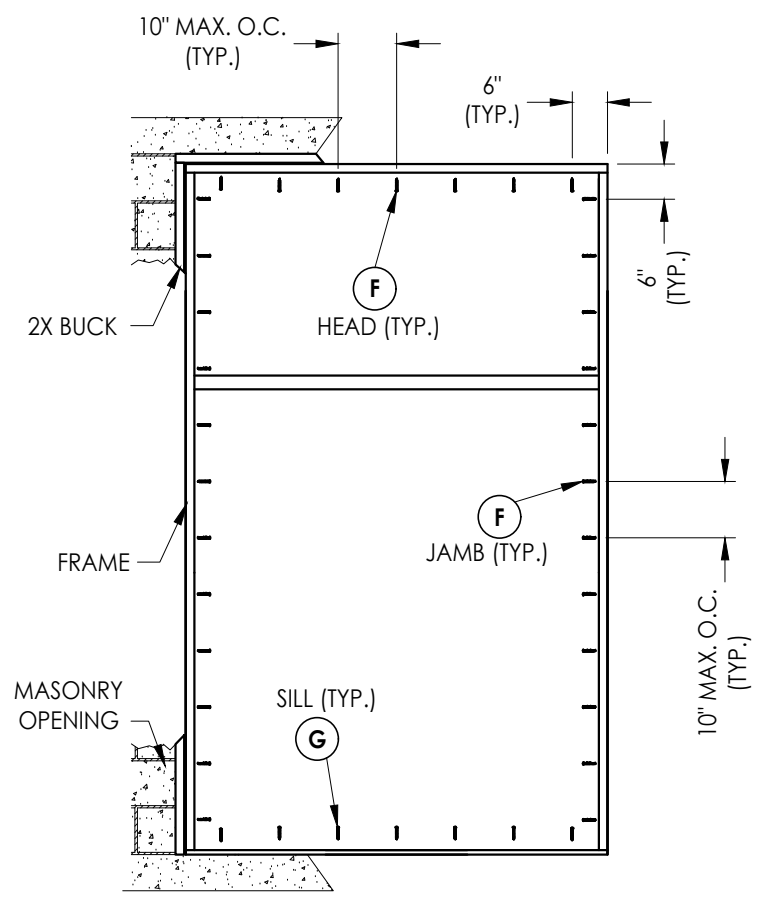
PART OR ASSEMBLY: VERTICAL CROSS SECTIONS

NO.	DATE	REVISIONS	BY
4	7/06/23	UPDATE TO 8TH ED. (2023) FBC	LFS
3	7/06/20	UPDATE TO 7TH ED. (2020) FBC	LFS
2	6/01/17	UPDATE TO 6TH ED. (2017) FBC	LFS
1	1/28/15	UPDATE TO 5TH ED. (2014) FBC	JK

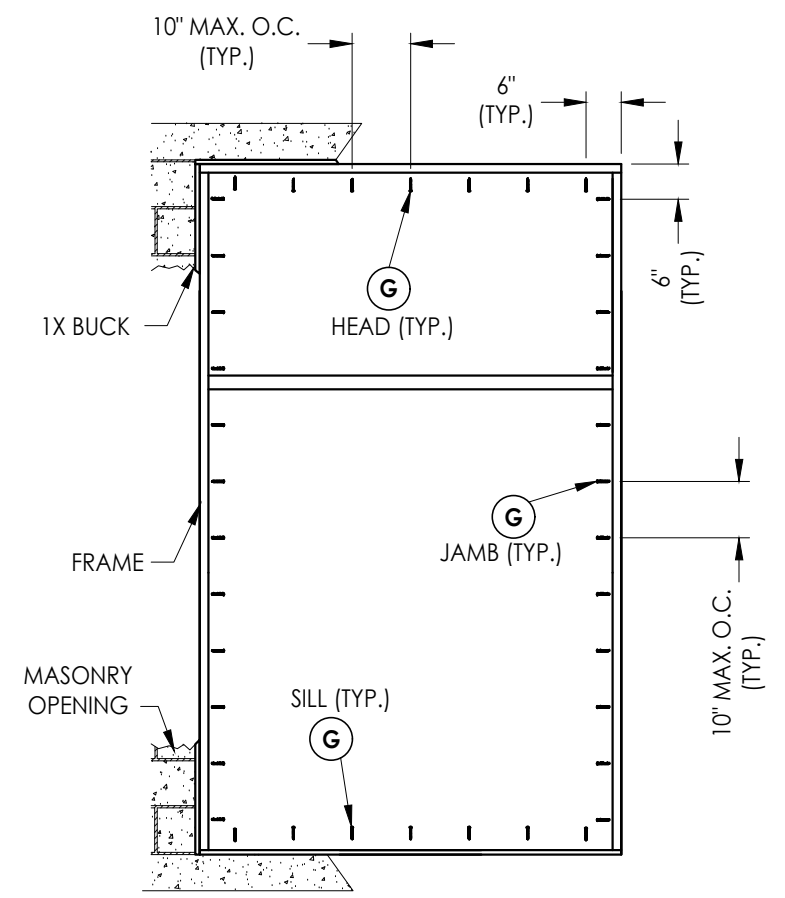
DATE: 8/18/14  
SCALE: N.T.S.  
DWG. BY: JK  
CHK. BY: LFS  
DRAWING NO.: FL-16216.11  
SHEET 3 OF 6



**BUCK ANCHORING  
MASONRY**



**FRAME ANCHORING  
2X Buck**



**FRAME ANCHORING  
1X Buck, Direct to Masonry**

**CONCRETE ANCHOR NOTES:**

1. Concrete anchor locations at the corners may be adjusted to maintain the min. edge distance to mortar joints.
2. Concrete anchor locations noted as "MAX. ON CENTER" must be adjusted to maintain the min. edge distance to mortar joints, additional concrete anchors may be required to ensure the "MAX. ON CENTER" dimension are not exceeded.
3. Concrete anchor table:

ANCHOR TYPE	ANCHOR SIZE	MIN. EMBEDMENT	MIN. CLEARANCE TO MASONRY EDGE	MIN. CLEARANCE TO ADJACENT ANCHOR
ITW TAPCON®	1/4"	1-1/4"	2"	4"
ELCO ULTRACON®	1/4"	1-1/4"	1"	4"

**WOOD SCREW INSTALLATION NOTES:**

1. Maintain a minimum 5/8" edge distance, 1" end distance, & 1" o.c. spacing of wood screws to prevent the splitting of wood.

Documents Prepared By:  
Lyndon F. Schmidt  
P.E. No. 43409

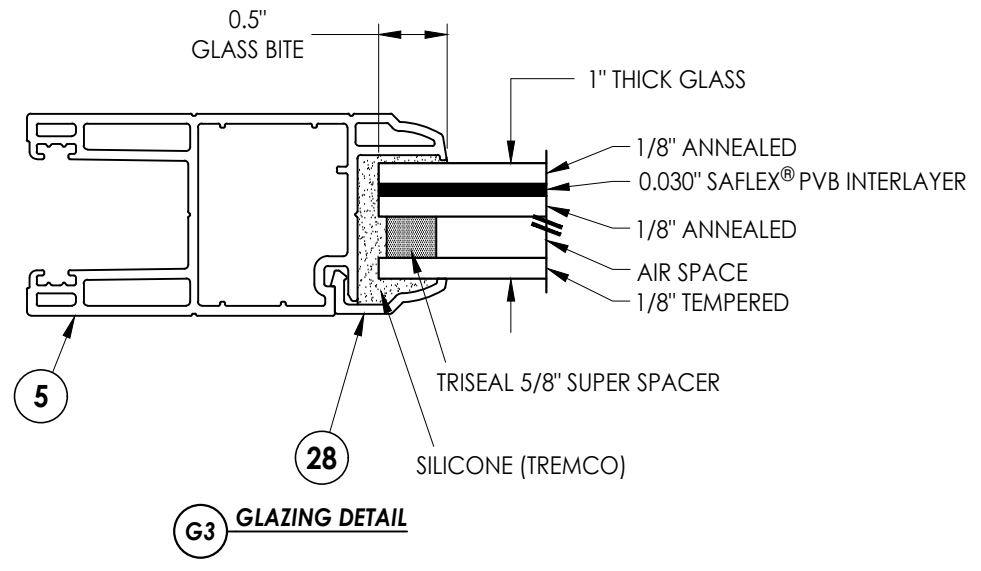
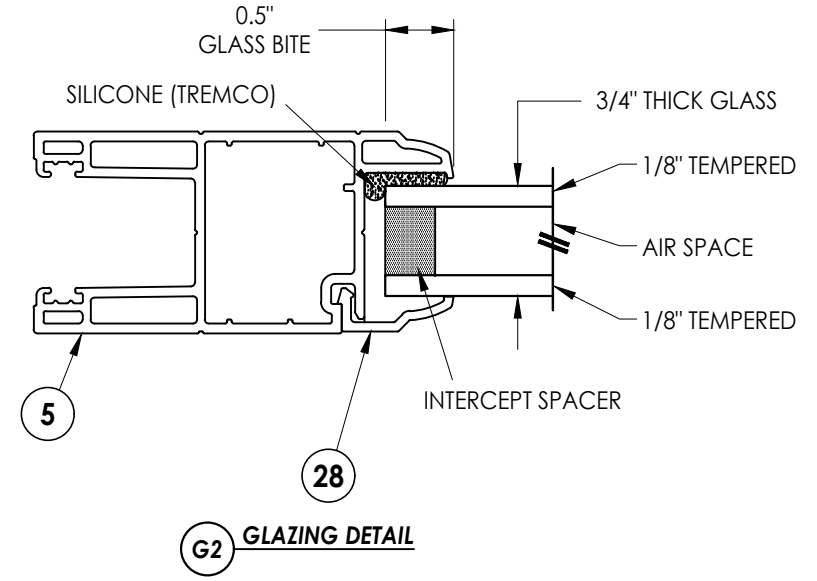
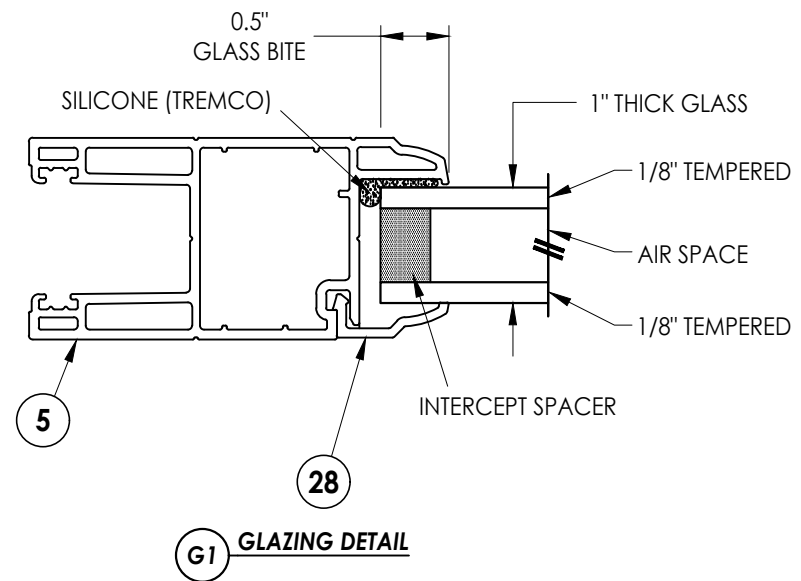
PRODUCT: 400/500 SERIES  
SLIDING PATIO DOORS

NO.	DATE	BY
4	7/06/23	UPDATE TO 8TH ED. (2023) FBC
3	7/06/20	UPDATE TO 7TH ED. (2020) FBC
2	6/01/17	UPDATE TO 6TH ED. (2017) FBC
1	1/28/15	UPDATE TO 5TH ED. (2014) FBC

DATE: 8/18/14  
SCALE: N.T.S.  
DWG. BY: JK  
CHK. BY: LFS  
DRAWING NO.: FL-16216.11  
SHEET 4 OF 6

**RW** BUILDING CONSULTANTS, INC.  
P.O. Box 230, Valrico, FL 33595  
Phone No.: 813.659.9197  
FBPE Registry No. 9813

PART OR ASSEMBLY:  
BUCK & FRAME ANCHORING



Documents Prepared By:  
Lyndon F. Schmidt  
P.E. No. 43409

**RW** BUILDING CONSULTANTS, INC.  
P.O. Box 230, Valrico, FL 33595  
Phone No.: 813.659.9197  
FBPE Registry No. 9813

PRODUCT: 400/500 SERIES SLIDING PATIO DOORS  
PART OR ASSEMBLY: GLAZING DETAILS

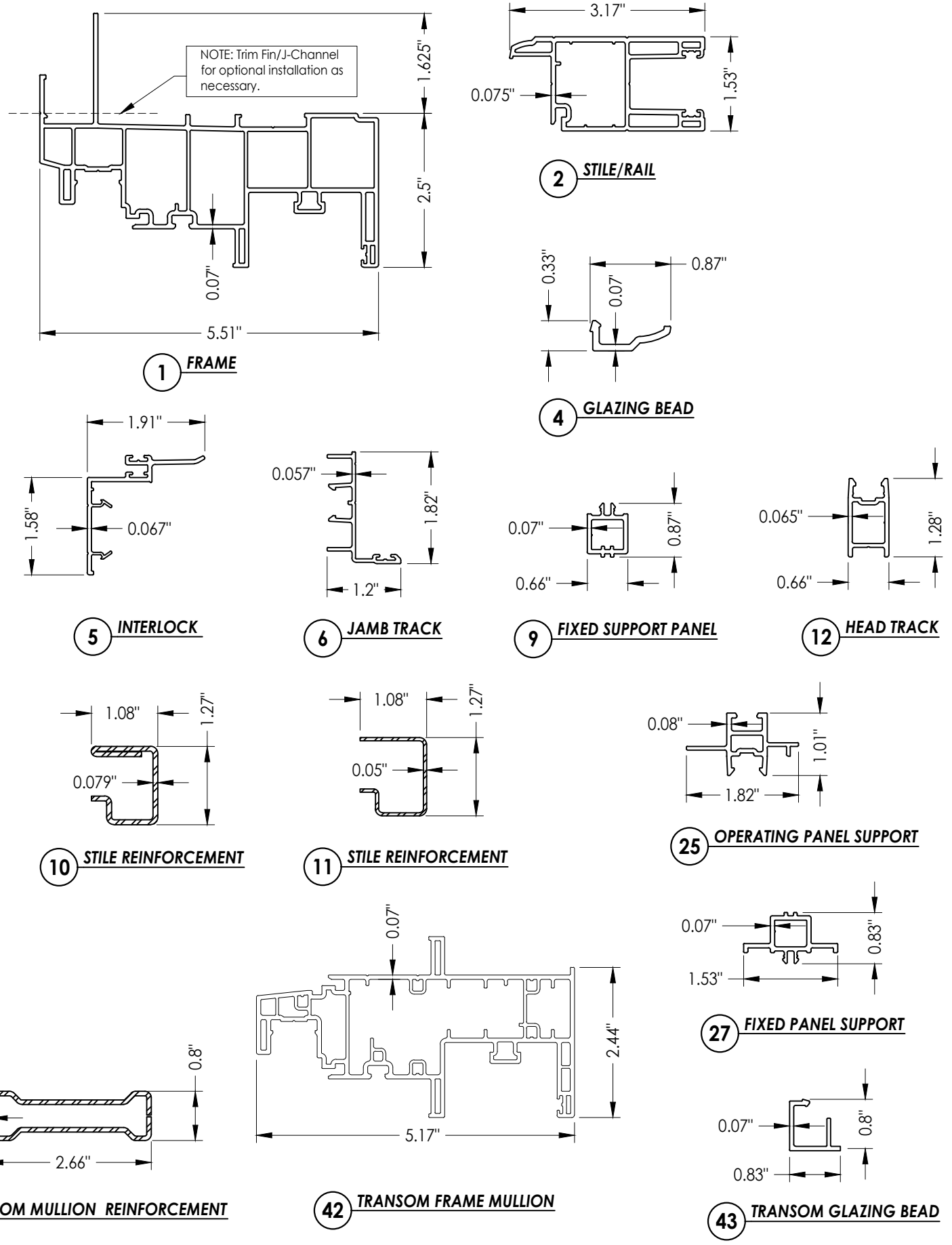
NO.	DATE	BY
4	7/06/23	LFS
3	7/06/20	LFS
2	6/01/17	LFS
1	1/28/15	JK

DATE: 8/18/14  
SCALE: N.T.S.  
DWG. BY: JK  
CHK. BY: LFS  
DRAWING NO.: FL-16216.11  
SHEET 5 OF 6

Z:\2023 FBC Drawings\Wincore Window Company\FL-16216 R14\FL-16216.8-11.dwg

BILL OF MATERIALS		
ITEM #	DESCRIPTION	MATERIAL
A	1X BUCK SG >= 0.55	WOOD
B	2X BUCK SG >= 0.55	WOOD
C	1/4" MAX. SHIM SPACE	-
D	1/4" X 2-3/4" ELCO OR ITW CONCRETE SCREW	STEEL
E	MASONRY - 3,000 PSI MIN. CONCRETE CONFORMING TO ACI 301 OR HOLLOW BLOCK CONFORMING TO ASTM C90	CONCRETE
F	#10 PPH WOOD SCREW (1-3/8" MIN. EMBEDMENT REQ'D INTO WOOD)	STEEL
G	1/4" ELCO OR ITW CONCRETE SCREW (1-1/4" MIN. EMBEDMENT REQ'D. INTO CONCRETE)	STEEL
1	FRAME*	PVC
2	STILE/RAIL*	PVC
3	WEATHERSTRIP (SCHLEGEL #HF-7522-270)	-
4	GLAZING BEAD*	PVC
5	INTERLOCK*	PVC
6	JAMB TRACK*	PVC
7	WEATHERSTRIP (SCHLEGEL #PB-8420-187)	-
8	#8 X 2" PAN HEAD QUADREX SCREW	STEEL
9	FIXED SUPPORT PANEL*	PVC
10	STILE REINFORCEMENT (CS TYPE B HOT DIPPED GALV.)	STEEL
11	STILE REINFORCEMENT (CS TYPE B HOT DIPPED GALV.)	STEEL
12	HEAD TRACK*	PVC
19	#8 X 5/8" PAN HEAD, SQUARE, SELF-DRILLING SCREW	STEEL
20	TANDEM WHEEL (TRUTH)	-
21	TANDEM WHEEL SHIM*	PVC
22	INSECT STOP	-
23	SCREEN	-
24	SLIDING PANEL RAIL	ALUM
25	OPERATING PANEL SUPPORT*	PVC
26	FIXED SASH ANCHOR BLOCK	-
27	FIXED PANEL SUPPORT*	PVC
39	HANDLE KIT	STEEL
40	MORTISE LOCK KIT/KEEPER	S.S.
42	TRANSOM FRAME MULLION*	PVC
43	TRANSOM GLAZING BEAD*	PVC
44	TRANSOM MULLION REINFORCEMENT (CS TYPE B HOT DIPPED GALV.)	STEEL
46	#7 X 1/2" FLAT HEAD SELF-DRILLING QUADREX SCREW	STEEL
47	#10 X 2-1/2" FLAT HEAD QUADREX WOOD SCREW	STEEL

\* THE APPROVED WHITE RIGID PVC EXTERIOR EXTRUSIONS FOR WINDOWS ARE TO BE PRODUCED BY EXTRUDERS LICENSEES IN "AAMA CERTIFICATION PROGRAMS FOR RIGID PVC EXTRUSIONS".



Documents Prepared By:  
Lyndon F. Schmidt  
P.E. No. 43409

**RW** BUILDING CONSULTANTS, INC.  
P.O. Box 230, Vairico, FL 33595  
Phone No.: 813.659.9197  
FBPE Registry No. 9813

PRODUCT: 400/500 SERIES  
SLIDING PATIO DOORS

PART OR ASSEMBLY:  
BILL OF MATERIALS  
& COMPONENTS

NO.	DATE	BY	REVISIONS
4	7/06/23	LFS	UPDATE TO 8TH ED. (2023) FBC
3	7/06/20	LFS	UPDATE TO 7TH ED. (2020) FBC
2	6/01/17	LFS	UPDATE TO 6TH ED. (2017) FBC
1	1/28/15	JK	UPDATE TO 5TH ED. (2014) FBC

DATE: 8/18/14  
SCALE: N.T.S.  
DWG. BY: JK  
CHK. BY: LFS  
DRAWING NO.: FL-16216.11  
SHEET 6 OF 6

© 2014 R.W. BUILDING CONSULTANTS INC.